

# HSB-10000, -20000

Heavy duty one station positioner.

- Rigid design.
- Heavy duty positioner.
- Supplementary tailstocks.

This is a one station positioner for workpieces requiring rotation about one axis.

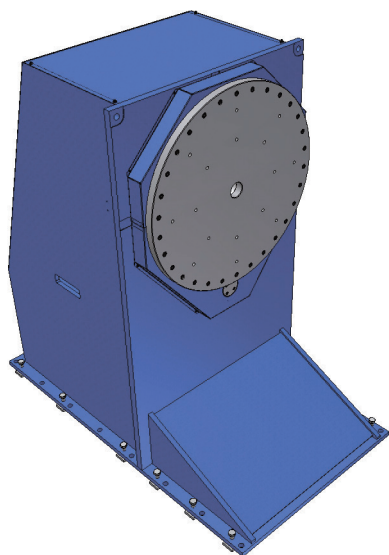
To support long workpieces it is advisable to use a supplementary tailstock. The free standing SPB tailstock can be mounted directly on the floor at an appropriate distance from the positioner.

#### Available accessories

- Fixture brackets
- Tailstocks



SPB



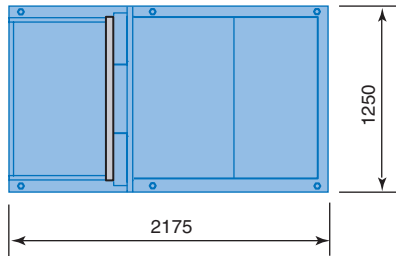
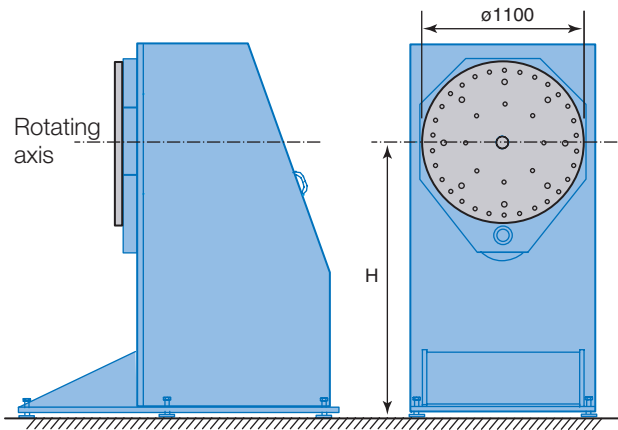
Technical data		HSB-10000 SD	HSB-20000 SD
<b>Max. payload</b>		<b>10 ton</b>	<b>20 ton</b>
<b>Welding capacity</b>	100% duty cycle 60% duty cycle	2x 350 A 2x 460 A	2x 350 A 2x 460 A
<b>Rotating axis torque</b>	dynamic static	15058 Nm 12045 Nm	17785 Nm 14228 Nm
<b>Rotating axis</b>	rated speed maximum speed	0-1.92 rpm 2.5 rpm	0-2.2 rpm 4.4 rpm
<b>Rated offset from COG</b>		123 mm	73 mm
<b>Tailstock, free standing</b>		SPB	onrequest

Controlled by  
YRC1000

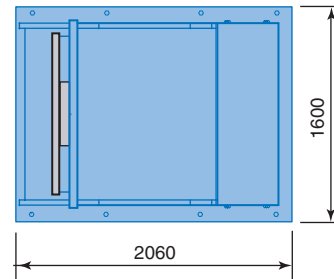
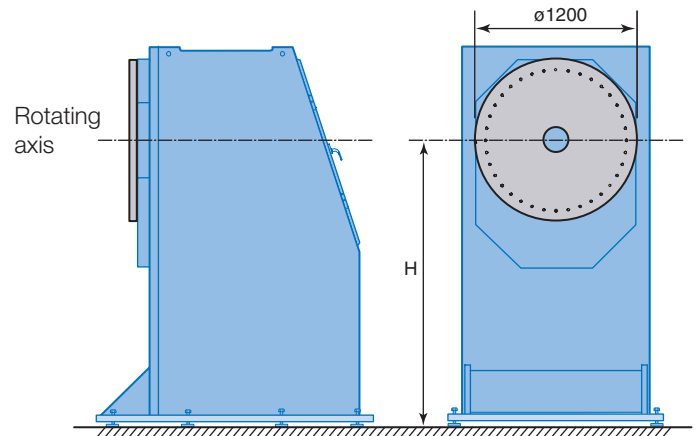
Controlled by  
DX200

# HSB-10000, -20000

**HSB-10000 SD**



**HSB-20000 SD**



	H (mm)	Weight	Part No.
<b>HSB-10000 SD</b>	1200	3381 kg	124607-100
	1500	3695 kg	124607-101
	1830	4040 kg	124607-103
<b>HSB-20000 SD</b>	2100	7177 kg	124608-100

# YASKAWA



YASKAWA Nordic AB  
PO Box 504  
SE-385 25 Torsås, SWEDEN