

The MOTOMAN MS80W is YASKAWA's answer to worldwide downsizing of spot-welding guns. This 80 kg spot-welding robot represents a further highlight of the company's range.

On closer inspection, one is impressed by the streamlined design of the 6-axis MS80W: its increased speed and higher flexibility are significant advantages over conventional heavy-duty robots. Welding lines can be reduced by means of the extremely close positioning of the robot which also results in reduction of cycle times and allows flexible adaptation of the welding lines. The cables are integrated and are routed from the L axis to the robot base and through the centre of the S axis.

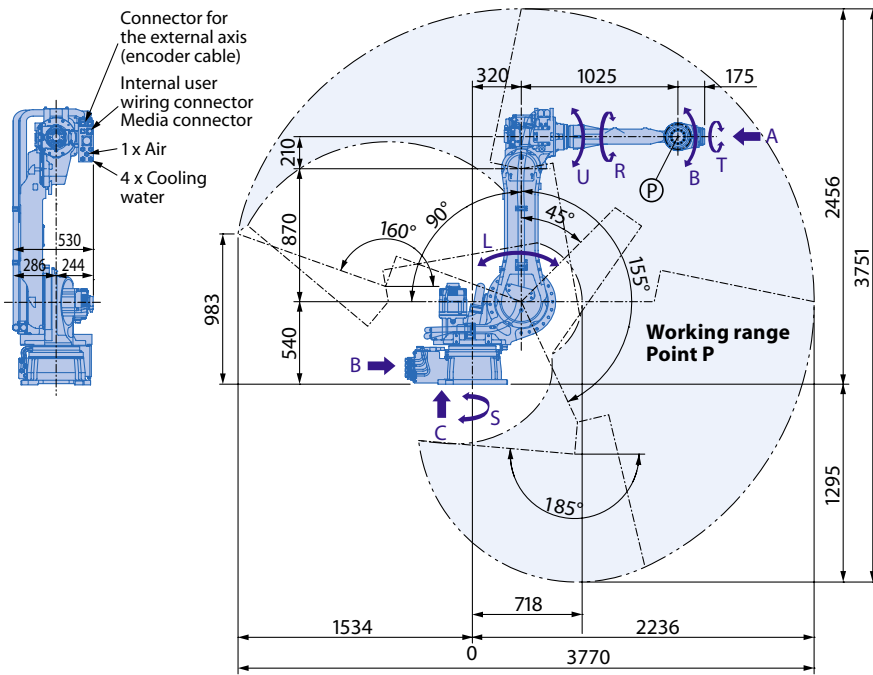


Key benefits

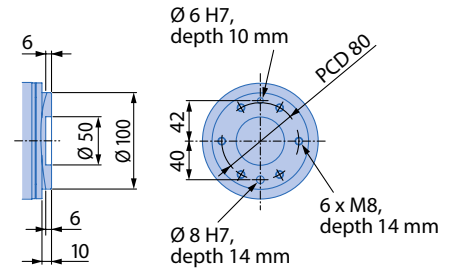
- Max. payload of 80 kg
- Repeatability of $\pm 0,07$ mm
- Max. working range of 2,236 mm
- Extremely streamlined design
- Reduced robot width by means of integrated cables and media hose package through the robot arm
- Can be placed close to workpieces and other robots for flexible, high-density layouts. These configurations can eliminate multiple stations, resulting in shorter production lines and smaller spot welding work cells.
- Proven integrated spot harness, prevents interference and reduces programming time
- High dynamic performance

MOTOMAN MS80W

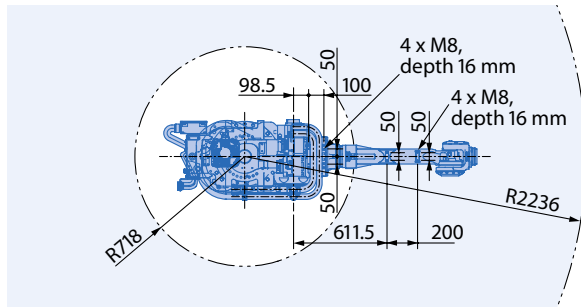
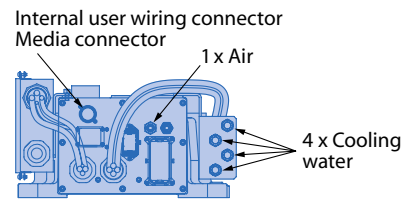
Spot welding, general purpose and handling



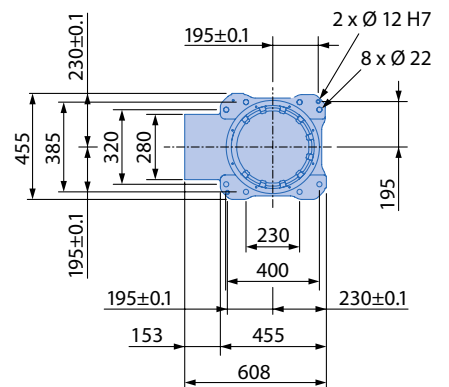
View A



View B

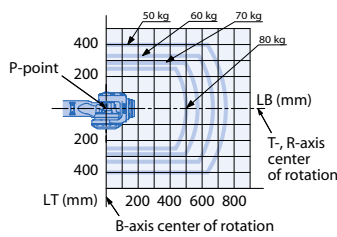


View C



Mounting option: Floor

Allowable wrist load



All dimensions in mm | Technical data may be subject to change without previous notice | Please request detailed drawings at robotics@yaskawa.eu.com –YR-MS0080W-A00, A-11-2012, A-No. 159590

Specifications MS80W

Axes	Maximum motion range [°]	Maximum speed [°/sec.]	Allowable moment [Nm]	Allowable moment of inertia [kg · m ²]	Controlled axes	6
S	±180	170	–	–	Max. payload [kg]	80
L	+155/–90	140	–	–	Repeat. pos. accuracy [mm]	±0.07
U	+160/–185	160	–	–	Max. working range [mm]	R = 2236
R	±360	230	392	28	Temperature [°C]	0 to +45
B	±125	230	392	28	Humidity [%]	20 – 80
T	±360	350	196	11	Weight [kg]	580
					Power supply, average [KVA]	4



Headquarters Robotics Division

YASKAWA Europe GmbH
Yaskawastraße 1
D-85391 Allershausen
Tel. 0049-81 66-90-0
Fax 0049-81 66-90-103
robotics@yaskawa.eu.com
www.yaskawa.eu.com

YASKAWA Academy and sales office Frankfurt

YASKAWA Europe GmbH
Robotics Division
Hauptstraße 185
D-65760 Eschborn
Tel. 0049-61 96-777 25-0
Fax 0049-61 96-777 25-39
robotics@yaskawa.eu.com
www.yaskawa.eu.com